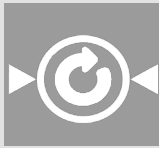


ORWAK HORIZONTAL 1000 ATH

Our fully automated horizontal 100 ton baler meets the challenges by centralized waste handling in many businesses and organizations where huge volumes of recyclable paper-based and plastic wrapping are produced. We offer well-proven technology for special demands! The automatic tying and the continuous baling enable multi-shift operation.



**AUTOMATIC
SOLUTION**



**CAPACITY
CARDBOARD**



**BALE WEIGHT
CARDBOARD**

ORWAK BENEFITS



MORE PRODUCTIVE USE OF TIME

Less time spent on waste handling, more time for your core activities!

MORE SPACE & ORDER

Our balers rapidly minimize the space the waste takes up, keeping aisles free and tidy.

LESS COSTS, MORE VALUE

More compaction = less waste volume to transport. Fewer transports required results in lower transportation costs and reduced CO₂ emissions. Sorting at source yields a higher quality of waste material for recycling.

WHY ORWAK HORIZONTAL?

- Effective large-scale waste handling
- Improved internal and external logistics
- Safe and comfortable working environment
- Excellent control over the throughput
- Increased income when delivering high-quality bales directly to the recycling industry.

ORWAK
PART OF Sulo GROUP

ORWAK HORIZONTAL 1000 ATH

Smart fully automated solution

CONTINUOUS FEEDING AND OUTPUT

A completely automated waste management solution designed for continuous infeed and equipped with an automatic horizontal strapping system with adjustable wire links, which enables you to yield optimal output.

EQUIPPED WITH A PROGRESSIVE CUTTING SYSTEM

for extra effective compaction .



OPTIMAL FEATURES

- Well proven technology
- Auto start (photocell) as standard
- High speed: fast throughput
- Adjustable bale length
- Bale counter
- Oil cooler
- Horizontal automatic tying

HORIZONTAL 1000 ATH IS OPTIMIZED FOR:

PAPER

- Paper sacks
- Cardboard
- Tetra Pak

PLASTIC

- Shrink film
- PET/PEHD

A VARIETY OF INFEEED OPTIONS

To fit the conditions in your environment, our horizontal balers offer a wide choice of infeed systems: manual, by bin, air-transport and conveyor belt. Our balers can also easily be equipped with shredders, bottle presses, rufflers, strippers and different types of hoppers.

OPTIONS

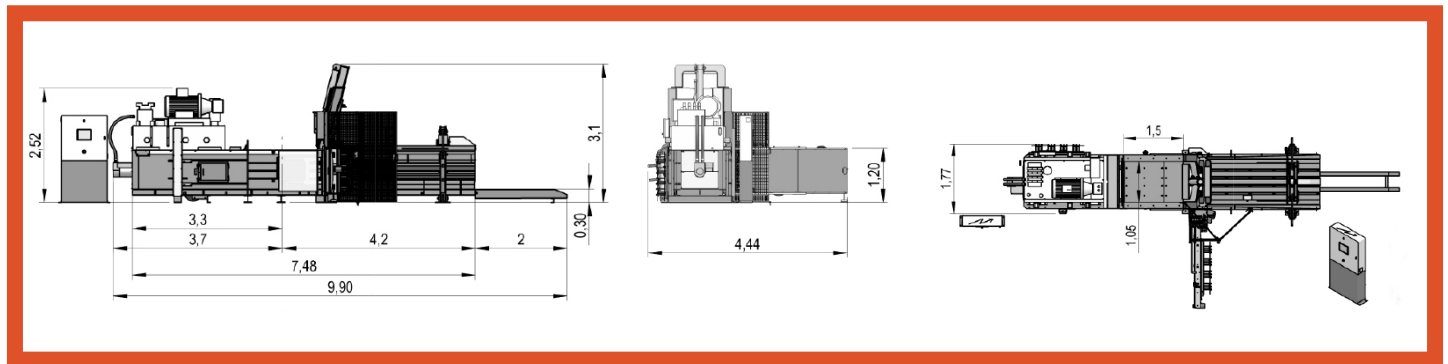
- Conveyor belt
- Heating systems
- Stamper

More special options on demand

DIMENSIONS & SPECIFICATIONS

TECHNICAL SPECIFICATIONS

MODEL	MACHINE DIMENSIONS (LXWXH) EXCL BALE EXIT	FEED OPENING	INFEEED CAPACITY	PRESS FORCE	MOTOR	SURFACE PRESSURE	CYCLES PER MINUTE	CHANNEL SECTION	OIL TANK CAPACITY
1000 ATH, 55 kW	7860x4435x3060 mm	1550x1100 mm	1.36 m ³	100 ton	55 kW/75 Hp	11.3 kg/cm ²	3.5	1100x800 mm	1000 L
1000 ATH, 75 kW	7860x4435x3060 mm	1550x1100 mm	1.36 m ³	100 ton	75 kW/100 Hp	11.3 kg/cm ²	5	1100x800 mm	1500 L



TECHNICAL SPECIFICATIONS

MODEL	TOTAL MACHINE WEIGHT	PRODUCTION RATE WITH LOAD	PRODUCTION ACCORD. TO DENSITY	AUTOMATIC BINDING	BALE SIZE (ADJUSTABLE LENGTH)	BALE WEIGHT CARDBOARD <small>DEPENDS ON BALE LENGTH</small>
1000 ATH, 55 kW	15000 kg	220 m ³ /h	11-18 t/h	4 wires Ø 3.4	1100x800x800-2150 mm	400-1000 kg
1000 ATH, 75 kW	15500 kg	320 m ³ /h	16-25 t/h	4 wires Ø 3.4	1100x800x800-2150 mm	400-1000 kg

We reserve the right to make changes to specifications without prior notice. Bale weights are dependent upon material type.

ORWAK AB

Svetsaregatan 4
S-576 33 Sävsjö
SWEDEN
Tel: +46-(0)382-15700
info@orwak.com

ORWAK.COM

ORWAK
PART OF JULO GROUP