

ORWAK FLEX 660

Orwak's in-bin compactor for 660 L bins is based on an effortless "roll in, roll out" concept and is ideal for compaction of bagged general waste. FLEX 660 is easily adjustable to any bin brand and it is safe and simple to use. It offers smart and compact design and requires only one square meter floor space. Multigrade oil is a standard feature.



**SMALL
FOOTPRINT**



ORWAK BENEFITS



MORE PRODUCTIVE USE OF TIME

Less time spent on waste handling, more time for your core activities!

MORE SPACE & ORDER

Our compaction solutions rapidly minimize the space the waste takes up, keeping aisles free and tidy.

LESS COSTS, MORE VALUE

More compaction = less waste volume to transport. Fewer transports required results in lower transportation costs and reduced CO₂ emissions. Sorting at source yields a higher quality of waste material for recycling.

WHY ORWAK FLEX?

- Versatile compaction for many different application areas
- Hygienic and safe compaction and disposal of mixed or hazardous waste
- Special solutions for special needs

ORWAK
PART OF **SULO** GROUP

ORWAK FLEX 660

Smart in-bin compaction solution

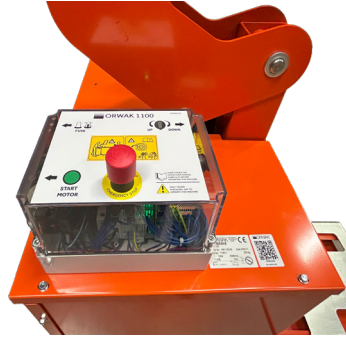
This model is an in-bin waste compactor for 660 L bins and it is designed to fit any bin brand.

IDEAL FOR BAGGED WASTE

FLEX 660 is perfect for the hotel and restaurant sector, where general bagged waste is disposed of in waste bins. This in-bin compactor provides effective compaction contributing to valuable space-saving and more profitable waste management.

SMART DESIGN

FLEX 660, based on a wheel-in, wheel-out operation, is simple to use and a lifting plate protects the wheels on the bin from damage during compaction. A good finish and easy access facilitate daily cleaning.



- Compaction ratio 3:1
- Galvanized lifting plate
- Low sound emission

ORWAK FLEX 660 IS OPTIMIZED FOR:

SEMI-DRY WASTE *Best suited for dry or semi-dry waste destined for landfill or incineration*

- General waste

SMALL FOOTPRINT

This robust machine offers compact design and requires only 1 m² floor space.

MEETS SAFETY REQUIREMENTS

Safety and quality are our hallmarks and FLEX 660 features two-hand operation and meets performance level C.

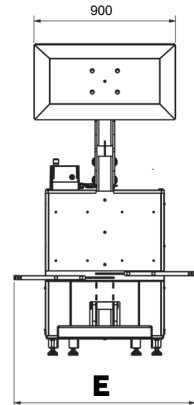
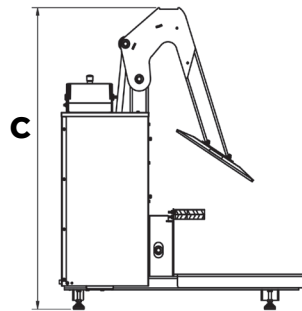
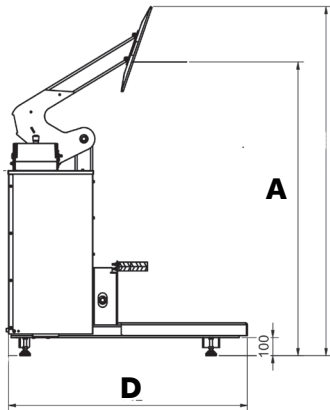
OPERATING PANEL ON THE LEFT OR THE RIGHT HAND SIDE

The user-friendly operating panel can easily be placed either on the left or the right hand side of the machine to smoothly adapt to the conditions on site.

MULTIGRADE OIL IS STANDARD

For more flexibility and the opportunity to place the machine in different types of environments, multigrade oil is a standard feature and enables the machine to maintain its high performance at low temperatures.

DIMENSIONS & SPECIFICATIONS



DIMENSIONS

A (MIN WORKING HEIGHT)	B (MAX WORKING HEIGHT)	C (HEIGHT PRESS PLATE DOWN)	D	E	TRANSPORT HEIGHT
1620 mm	1926 mm	1566 mm	1362 mm	740-1220 mm	1600 mm

TECHNICAL SPECIFICATIONS

BIN SIZE	CYCLE TIME	PRESS FORCE	MACHINE WEIGHT	NOISE LEVEL	PROTECTION CLASS	OPERATING POWER
660-770 L	44 secs	4 ton, 40 kN	274 kg	62 db (A)	IP 55	Single Phase 230 V, 50 /60 Hz, 10 A

We reserve the right to make changes to specifications without prior notice. Bale/bag/bin weights are dependent upon material type.

ORWAK AB

Svetsaregatan 4
S-576 33 Sävsjö
SWEDEN
Tel: +46-(0)382-15700
info@orwak.com

ORWAK.COM

ORWAK
PART OF JULO GROUP