

BRICKMAN 1200C

BRICKMAN 1200C, equipped with a cyclone for a compact less space demanding machine design, is developed to compact extra large quantities of bulky waste, such as cardboard and PET bottles. The automated solution is time-saving and convenient.

New feature: silent powerpack as standard for a pleasant low noise level working environment.



**AUTOMATIC
SOLUTION**



**CAPACITY
CARDBOARD**



ORWAK BENEFITS



MORE PRODUCTIVE USE OF TIME

Less time spent on waste handling, more time for your core activities!

MORE SPACE & ORDER

Our balers rapidly minimize the space the waste takes up, keeping aisles free and tidy.

LESS COSTS, MORE VALUE

More compaction = less waste volume to transport. Fewer transports required results in lower transportation costs and reduced CO₂ emissions. Sorting at source yields a higher quality of waste material for recycling.

WHY BRICKMAN?

- Convenient fully automated compaction solution
- Impressive volume reduction of up to 20:1
- Great placement opportunities indoors

ORWAK
PART OF Sulo GROUP

BRICKMAN 1200C

Turns large volume of material into compact briquettes for recycling

CONVENIENT AND EFFICIENT

BRICKMAN offers time-saving and comfortable waste handling. The press can be fed while running, there is no lid or door to open when loading the material and the ready briquettes require no binding.

Furthermore, optional photocells can automate the start function. The material infeed and briquette outfeed are easy to integrate in system solutions.

COMPACT MACHINE DESIGN THANKS TO CYCLONE

The innovative cyclone, based on a patented technique, allows for a notably smaller powerpack and a reduced oil volume in the tank. It makes BRICKMAN 1200C less space demanding and easier to transport. This saves transportation costs and enables installations in various environments.



BRICKMAN 1200C IS OPTIMIZED FOR:

CARDBOARD

- Corrugated cardboard

CAPACITY

Up to 1100 kg/h

PLASTIC

- PET bottles

CAPACITY

Up to 900 kg/h

NEW FEATURE: SILENT POWERPACK

It ensures a low sound emission contributing to an improved working environment and promoting installations directly at the waste source and in storage areas close to the customer environment.

DESIGNED FOR HEAVY DUTY

Thanks to the following features, the robust briquette press BRICKMAN 1200C is especially designed for compaction of large volumes of cardboard and empty PET bottles:

- Extension on the press cylinder
- Automatic greasing of the press plate
- Reinforced material in press chamber, press plate, cutting blades, guide piston and press loop

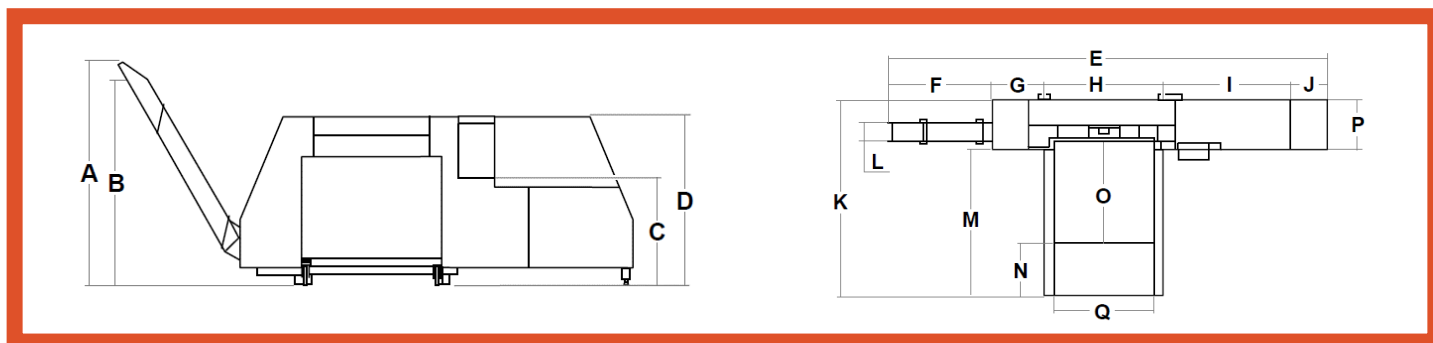
OPTIONAL ACCESSORIES

BRICKMAN can be ordered with a number of accessories; different chute options, start systems, sound absorption plates as well as heating and cooling devices.

DIMENSIONS & SPECIFICATIONS

DIMENSIONS (mm)

A	B	C	D	E	F	G	H	I	J	K	L	M	N	O	P	Q
2470	2010	1185	1860	5715	1355	685	1555	1635	485	2560	265	1900	690	1350	660	1300



TECHNICAL SPECIFICATIONS

MACHINE WEIGHT	PRESS FORCE	PRESSURE	HOPPER	BRIQUETTE SIZE	DENSITY*	NOISE LEVEL	PROTECTION CLASS	OPERATING POWER
3800 kg	25 ton 250 kN	Up to 62 kg/cm	2 m ³	200x200x100-300 mm	Up to 400 kg/m ³	65 db (A)	IP 55	400 V, 3-phase, 50 Hz** Fuse: 32 A (slow) Engine: 11 kW, Voltage 24 V

We reserve the right to make changes to specifications without prior notice. * Density varies with type of material. ** Other voltages are available

ORWAK AB

Svetsaregatan 4
S-576 33 Sävsjö
SWEDEN
Tel: +46-(0)382-15700
info@orwak.com

ORWAK.COM

ORWAK
PART OF JULO GROUP