

ORWAK FLEX 1100 THROW & GO

Orwak's in-bin compactor for 1100 L bins is based on an effortless "roll in, roll out" concept and is ideal for compaction of bagged general waste. FLEX 1100 is easily adjustable to any bin brand and it is safe and simple to use. Now available in a new more automated version; just throw in the bags, push the start button and walk away! Convenient and time-saving! To fulfil the safety requirements, the compactor operates in a cage.



SAFETY



ORWAK BENEFITS



MORE PRODUCTIVE USE OF TIME

Less time spent on waste handling, more time for your core activities!

MORE SPACE & ORDER

Our compaction solutions rapidly minimize the space the waste takes up, keeping aisles free and tidy.

LESS COSTS, MORE VALUE

More compaction = less waste volume to transport. Fewer transports required results in lower transportation costs and reduced CO₂ emissions. Sorting at source yields a higher quality of waste material for recycling.

WHY ORWAK FLEX?

- Versatile compaction for many different application areas
- Hygienic and safe compaction and disposal of mixed or hazardous waste
- Special solutions for special needs

 **ORWAK**[®]
PART OF **Sulo** GROUP

ORWAK FLEX 1100 THROW & GO

Smart in-bin compaction solution

This model is an in-bin waste compactor for 1100 L bins and it is designed to fit any bin brand. The cage allows for a more automated operation, since the cage doors remain locked during the compaction. Just push the start button and walk away!

IDEAL FOR BAGGED WASTE

FLEX 1100 is perfect for the hotel and restaurant sector, where general bagged waste is disposed of in waste bins. This in-bin compactor provides effective compaction contributing to valuable space-saving and more profitable waste management.

SMART DESIGN

FLEX 1100, based on a wheel-in, wheel-out operation, is simple to use and a lifting plate protects the wheels on the bin from damage during compaction. A good finish and easy access facilitate daily cleaning.



- Enclosed in a cage for safety
- Compaction ratio 3:1
- Galvanized lifting plate
- Low sound emission

ORWAK FLEX 1100 IS OPTIMIZED FOR:

SEMI-DRY WASTE

- General waste

Best suited for dry or semi-dry waste destined for landfill or incineration

THROW & GO

Thanks to the protection provided by the cage, the machine can start compacting the waste bags at the push of a button. No need for the operator to stay during the compaction process! This is convenient and productive use of time.

MEETS SAFETY REQUIREMENTS

Safety and quality are our hallmarks and the solution with the cage meets the safety requirements of the Machinery Directive.

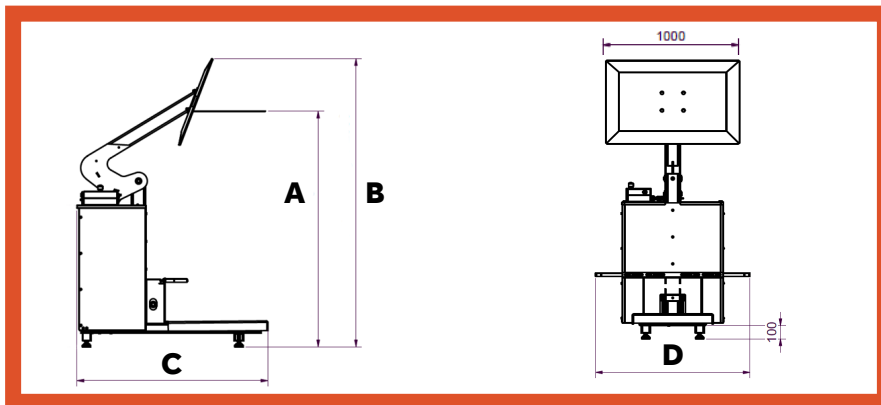
OPERATING PANEL LEFT OR RIGHT

The operating panel can easily be placed either on the left or the right hand side of the cage.

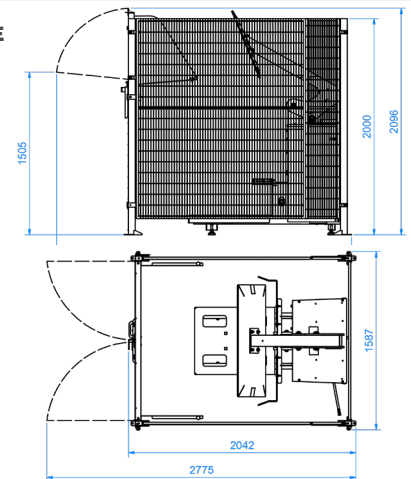
MULTIGRADE OIL IS STANDARD

For more flexibility and the opportunity to place the machine in different types of environments, multigrade oil is a standard feature and enables the machine to maintain its high performance at low temperatures.

DIMENSIONS & SPECIFICATIONS



THE CAGE



DIMENSIONS

A (MIN WORKING HEIGHT)	B (MAX WORKING HEIGHT)	C	D	MACHINE TRANSPORT HEIGHT	CAGE (HxLxW) CLOSED DOORS	CAGE (HxLxW) OPEN DOORS
1700 mm*	2090 mm	1367 mm	880-1240 mm	1600 mm	2096x2042**x1587 mm	2096x2775x1587 mm

* Height press plate down 1566 mm

** Length with shutter open 2682mm

TECHNICAL SPECIFICATIONS

BIN SIZE	CYCLE TIME	PRESS FORCE	MACHINE WEIGHT	NOISE LEVEL	PROTECTION CLASS	OPERATING POWER
1100L	44 secs	4 ton, 40 kN	293 kg	62 db (A)	IP 55	Single Phase 230 V, 50 /60 Hz, 10 A

We reserve the right to make changes to specifications without prior notice. Bale/bag/bin weights are dependent upon material type.

ORWAK AB

Svetsaregatan 4
S-576 33 Sävsjö
SWEDEN
Tel: +46-(0)382-15700
info@orwak.com

ORWAK.COM

ORWAK
PART OF JULO GROUP