

# ORWAK 3220

3220 is a versatile baler that meets the market demand for an extra low-built machine. It is perfect for cardboard and plastic and the low height simplifies transportation and installation, provides broad placement options and is ideal, where the ceiling height is a challenge!



**LOW  
HEIGHT**



**250 KG  
BALE WEIGHT  
CARDBOARD**

## ORWAK BENEFITS



### **MORE PRODUCTIVE USE OF TIME**

Less time spent on waste handling, more time for your core activities!

### **MORE SPACE & ORDER**

Our balers rapidly minimize the space the waste takes up, keeping aisles free and tidy.

### **LESS COSTS, MORE VALUE**

More compaction = less waste volume to transport. Fewer transports required results in lower transportation costs and reduced CO<sub>2</sub> emissions. Sorting at source yields a higher quality of waste material for recycling.

## WHY ORWAK 3220?

- Extra compact machine design facilitates transportation and installation
- Powerful compaction of large volumes of waste
- Intelligent features, user-friendly panel and ready for the optional Connect communication service

**ORWAK**  
PART OF SULO GROUP

# ORWAK 3220

Extra low installation height

## COMPACT MACHINE DESIGN

This model comes with a cross cylinder and offers an extra compact machine design with a transport and installation height of only 2000 mm. The low height simplifies transportation to the installation site and provides broad location opportunities.

## EVERY SECOND COUNTS

The baler is fast and with a cycle time of just 16 sec, it is ready for a new load of cardboard boxes or plastic foil in no time and auto start is a standard feature! 3220 can be operated manually but is preferably run in auto mode for maximum productivity and convenience.



Simply push two buttons for bale ejection!

- User-friendly panel
- Silent operation



Pipes for easy bale strapping

## ORWAK 3220 IS OPTIMIZED FOR:

### PAPER

- Cardboard
- Shredded paper

### PLASTIC FOIL

- Shrink film
- Plastic bags

## READY TO COMMUNICATE

The PCB features data storage capacity, technical machine monitoring, communication opportunities and fulfills performance level D for personal safety.

3220 is ready to communicate when choosing the option Orwak Connect. It is a modem-based communication service enabling the baler to send updates and alerts to the caretaker as well as vital information and bale statistics to the web portal.

## SPECIAL PLASTIC MODE

Equipped with a special software for successful compaction of plastic foil. It gets activated when the baler is run in the manual LP mode and will keep the waste under pressure for 5 minutes to squeeze out more air from the bulky plastic.

Complies with the EN 16500:2014 safety requirement standard for vertical balers

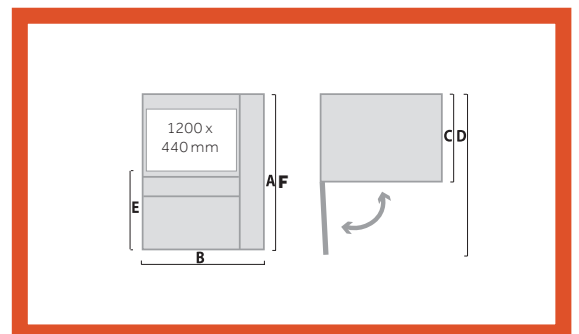
## DIMENSIONS & SPECIFICATIONS

### DIMENSIONS

A	B	C	D	E	F*
2000 mm	1651 mm	955 mm	2210 mm	1068 mm	2000 mm**

\*Transport height

\*\*Transport feet add 100 mm but can be removed after unloading



### TECHNICAL SPECIFICATIONS

LOADING APERTURE	CYCLE TIME	PRESS FORCE	BALE SIZE	BALE WEIGHT	MACHINE WEIGHT	NOISE LEVEL	PROTECTION CLASS	OPERATING POWER
Width: 1200 mm Height: 440 mm	16 secs	18 ton, 180 kN	Width: 1200 mm Depth: 710 mm Height: 850 mm	Cardboard: Up to 250 kg Plastic: Up to 290 kg	1131 kg	≤ 65 db (A)	IP 55	3-phase 3x400 V, 50 Hz

We reserve the right to make changes to specifications without prior notice. Bale/bag/bin weights are dependent upon material type.

## ORWAK AB

Svetsaregatan 4  
S-576 33 Sävsjö  
SWEDEN  
Tel: +46-(0)382-15700  
info@orwak.com

**ORWAK.COM**

**ORWAK**  
PART OF SULO GROUP