

ORWAK

HORIZONTAL 500 AT

HORIZONTAL

CENTRALIZED WASTE HANDLING

Our fully automated horizontal 50 ton baler meets the challenges by centralized waste handling in many businesses and organizations where huge volumes of recyclable paper-based and plastic wrapping are produced. We offer well-proven technology for special demands! The automatic tying and continuous baling allows multi-shift operation.



Automatic solution



2-4.5 T/H

CAPACITY
CARDBOARD

600 K6

BALE WEIGHT (UP TO)
CARDBOARD

Optimal features

WELL PROVEN TECHNOLOGY

based on more than 50 years of experience

AUTO START

equipped with photocell start as standard

HIGH SPEED

fast throughput of the material

BALE COUNTER

PROGRESSIVE CUTTING SYSTEM

ADJUSTABLE BALE LENGTH

individual settings to meet your needs

CHOICE BETWEEN VERTICAL & HORIZONTAL AUTOMATIC TYING

great versatility to bale different sorts of material



Why Orwak Horizontal?

- + Effective large-scale waste handling
- + Improved internal and external logistics
- + Safe and comfortable working environment
- + Excellent control over the throughput
- + Increased income when delivering high-quality bales directly to the recycling industry.

www.orwak.com

ORWAK[®]
PART OF **SULO** GROUP

Smart fully automated solution

OPTIMIZED FOR:

PAPER

- + Paper sacks
- + Cardboard

PLASTIC

- + Shrink film
- + PET/ PEHD

METAL

- + Food cans
- + Paint cans

WOOD

- + Crates

CONTINUOUS FEEDING AND OUTPUT

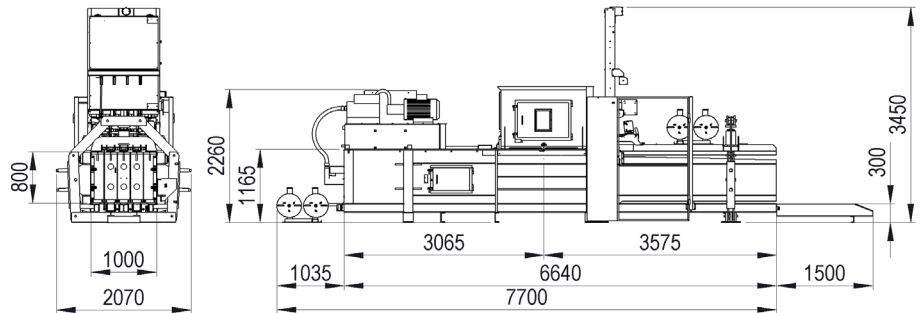
A completely automated waste management solution designed for continuous feed, automatic horizontal or vertical strapping system with adjustable wire links, which enables you to yield optimal output.

A VARIETY OF INFEED OPTIONS

To fit the conditions in your environment, our horizontal balers offer a wide choice of infeed systems: manual, by bin, air-transport and conveyor belt.

Our balers can also easily be equipped with shredders, bottle presses, rufflers, strippers and different types of hoppers.

500 AT



OPTIONS

- + HORIZONTAL TYING
- + BIN LIFTER
- + CONVEYOR BELT
- + COOLING & HEATING SYSTEMS
- + STAMPER

More special options on demand

DIMENSIONS & SPECIFICATIONS

TECHNICAL DATA

MODEL	500 AT
Machine dimensions (LxWxH mm without bale exit)	7700x2070x3450
Feed opening (mm)	1400x1000
Infeed capacity (m ³)	1.12
Press force (t)	50/60
Motor (kW / Hp)	15/22
Surface pressure (kg/cm ²)	6.25
Cycles per minute	2/3
Channel section (mm)	1000 x 800
Oil tank capacity (L)	400/500
Total machine weight (kg)	8500/9000
Production rate with load (m ³ /h)	80/150
Production accord. density (t/h)	2.5-4.5
Automatic binding	4 wires Ø 3.2
Bale size (mm) adjustable length	1000x800x 800-2150 mm
Bale weight cardboard (kg) depends on bale length	400-600 kg



OPTION: CONVEYOR BELT



OPTION: BIN LIFTER

We reserve the right to make changes to specifications without prior notice. Bale weights are dependent upon material type.